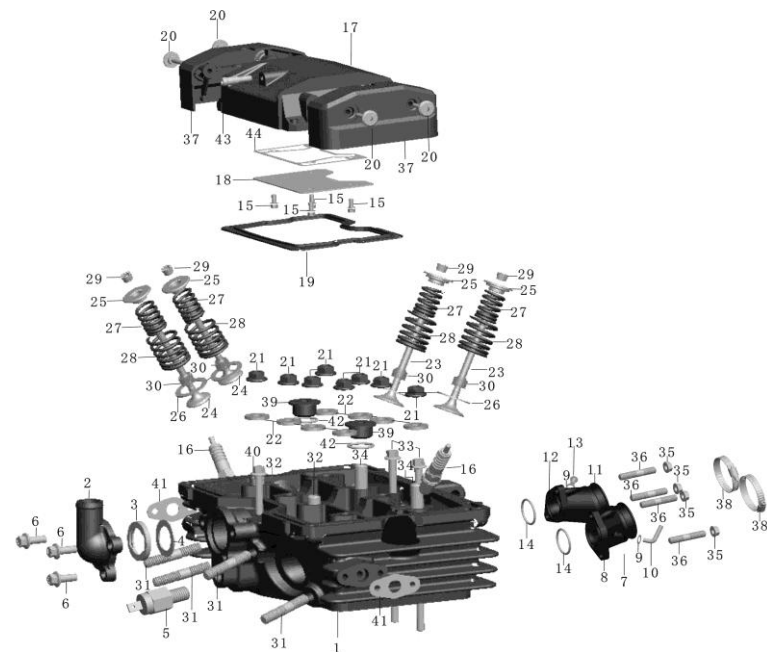


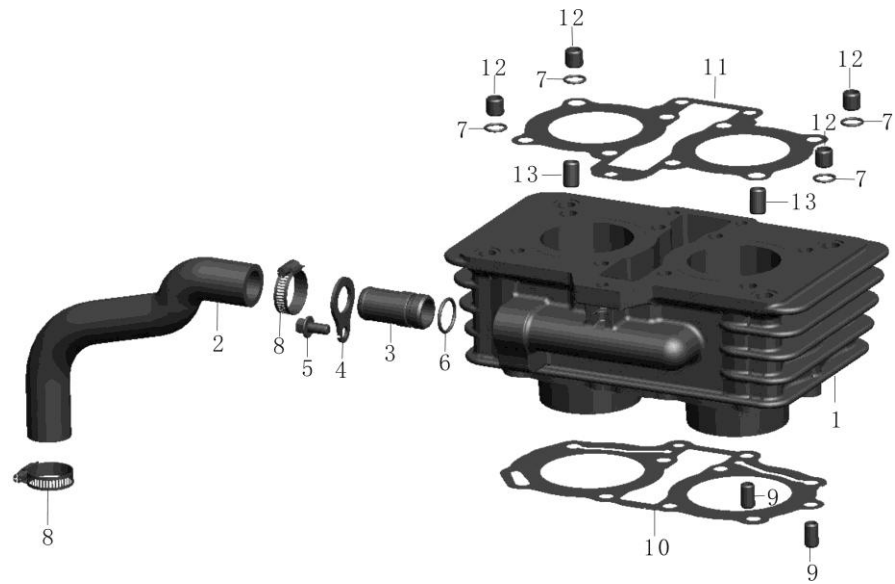
E-1 ASSIEME TESTA CILINDRI



E-1 ASSIEME TESTA CILINDRI

NO.	PART CODE	Old drawing ref.code	Description	Quantity	Design chang	euro	Remark
1	2.22.0101.10008	DD262MP-0101101	Head comp ,cylinder	1		98,00	
2	2.22.0101.02508	DD262MP-0101025	hose connector,cyliner,black	1		2,00	
3	2.23.0117.32200	DD250E-9-0117322	rusher,thermosat	1		0,75	
4	2.23.0117.32100	DD250E-9-0117321	rubber seat,thermosat	1		1,00	
5	2.23.0117.31000	DD250E-9-0117310A	tem sensor	1		14,00	
6	2.20.0108.0040S	DD250E-0108004A	bolt M6*20	3		0,50	
7	2.22.0101.20000	DD262MP-0101201	right manifold, intake	1		5,50	
11	2.22.0101.30000	DD262MP-0101300	right manifold, intake	1		5,50	
14	2.20.0101.20200	DD250E-0101202A	O-ring Φ26×2.5	2		0,50	
15	2.99.26.060120R	GB5787-86	Bolt M6×12	4		0,25	
16	2.30.0101.50020	DD150E-4-0101500	NGK	2		7,50	
17	2.19.0101.00108	DD300A-0101024	Cover, cylinder head	1		34,00	
18	2.19.0101.04200	DD300A-0101042	coverplate,cylinder cover	1		2,50	
19	2.20.0101.00300	DD250E-0101003A	packing ,head cover	1		5,00	
20	2.20.0101.0040S	DD250E-0101004A	Connect screw of cover	4		1,25	
21	2.20.0101.0050R	DD250E-0101005B	Nut, hex M8 4	8		0,50	
22	2.20.0101.0060R	DD250E-0101006A	Washer 8	8		0,25	
23	2.22.0101.00700	DD262MP-0101007	Valve, in	2		4,00	
24	2.22.0101.00800	DD262MP-0101008	Valve, ex	2		5,00	
25	2.20.0101.00900	DD250E-0101009B	Retainer, valve spring	4		0,85	
26	2.20.0101.01100	DD250E-0101011A	Seat, valve spring outer	4		0,50	
27	2.20.0101.01200	DD250E-0101012	Spring, valve inner	4		1,00	
28	2.20.0101.01300	DD250E-0101013	Spring, valve outer	4		1,65	
29	2.20.0101.01400	DD250E-0101014B	Cotter, valve	8		0,50	
30	2.20.0101.02000	DD250E-0101120A	Seal, valve stem	4		1,25	
31	2.20.0101.0150R	DD250E-0101015A	Bolt stud of escape pipe	4		0,75	
32	2.20.0101.01600	DD250E-0101016A	Pin, dowel 10×16	2		0,40	
33	2.20.0101.0170R	DD250E-0101017A	Bolt M6×145	2		0,75	
34	2.20.0101.01900	DD250E-0101019A	Pin, dowel 10×28	2		0,50	
35	2.99.43.060000R	T61772-2000 GB6177	Nut M6-ZnD	4		0,50	
36	2.20.0101.0220R	DD250E-0101022A	Bolt stud M6×29	4		0,50	
37	2.23.0101.0230S	DD250E-9-0101023	Side cover, cylinder head	2		14,00	
38	2.20.0101.03000	DD250E-0101030A	Band insulator 1x44	2		0,75	
39	2.33.0101.10700	DD150E-8-0101107	Bolt stops	2		1,00	
40	2.23.0101.0180S	DD250E-9-0101018	Bolt M6×83	1		0,40	
41	2.20.0101.61200	DD250E-0101612	Gasket	2		0,50	
42	2.23.0101.10100	DD250E-9-0101101	O-ringΦ15.2x2.5	2		0,50	
43	2.20.0103.1090R	DD250E-0103109	Rubber pipe cover	1		0,75	
44	2.19.0101.04110	DD300A-0101041	gasket,cylinder cover (non asbestos)	1		3,50	

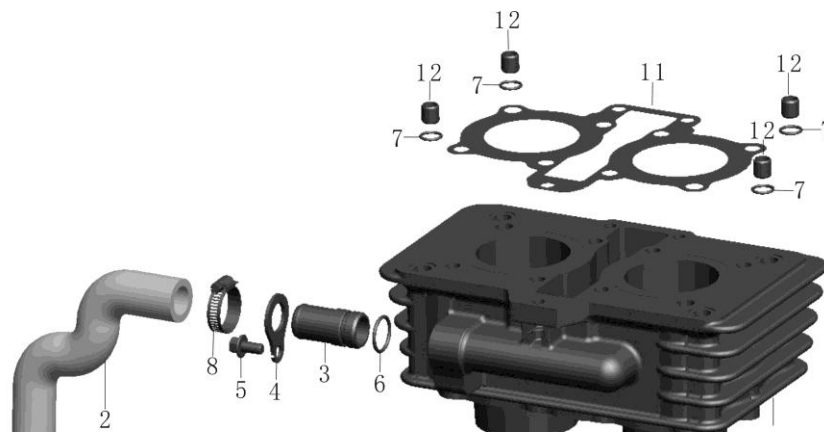
E-2 : ASSIEME CILINDRI



E-2 : ASSIEME CILINDRI

NO.	PART CODE	Old drawing ref.code	Description	Quantity	Design chang	EURO	Remark
1	2.22.0102.10008	DD262MP-0102100	Cylinder comp	1		140,00	
2	2.23.0102.00400	DD250E-9-0102004B	Hose, cylinder	1		5,40	
3	2.23.0101.0250S	DD250E-9-0101025	Hose connector	1		1,50	
4	2.23.0101.0240S	DD250E-9-0101024	Hose connector setting plate	1		0,25	
5	2.99.26.060120S	GB5787-86	Bolt M6×12	1		0,75	
6	2.23.0101.02600	DD250E-9-0101026	O-ringφ17X2	1		0,25	
7	2.20.0101.10300	DD250E-0101103A	O-ringφ10×1.6	4		0,25	
8	2.23.0117.01000	DD250E-9-0117010	Hose clip	2		1,00	
9	2.20.0102.00100	DD250E-0102001	Pin, dowel φ8×14	2		0,25	
10	2.22.0102.00200	DD262MP-0102002	Gasket , cylinder	1		2,00	
11	2.22.0102.00300	DD262MP-0102003	Gasket, cylinder head	1		10,00	
12	2.23.0102.00600	DD250E-9-0102006	Pin, dowel 10×10	4		0,25	
13	2.20.0101.01600	DD250E-0101016A	Pin, dowel φ10×16	2		0,40	

E-2 : ASSIEME CILINDRI

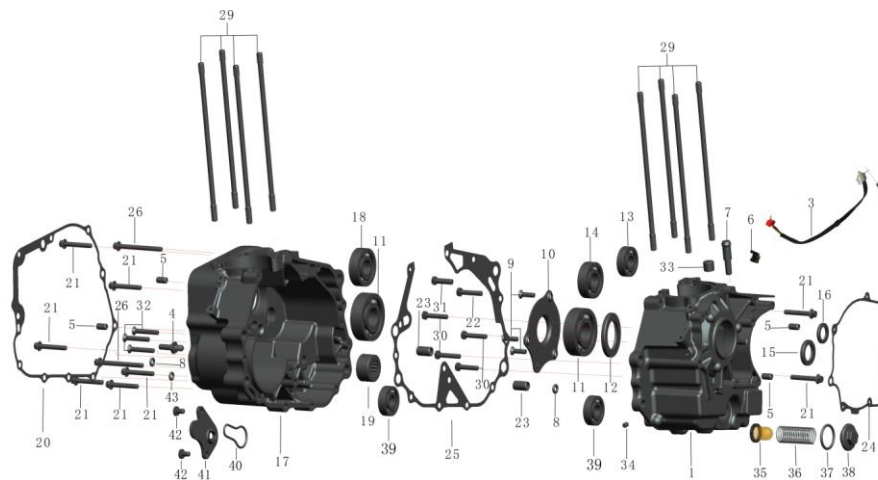




E-2 : ASSIEME CILINDRI

NO.	PART CODE	Old drawing ref.code	Description	Quantity	Design chang	EURO	Remark
1	2.22.0102.10008	DD262MP-0102100	Cylinder comp	1		140,00	
2	2.23.0102.00410	DD253MM-0102004	Hose, cylinder	1		4,50	
3	2.23.0101.0250S	DD250E-9-0101025	Hose connector	1		1,50	
4	2.23.0101.0240S	DD250E-9-0101024	Hose connector setting plate	1		0,25	
5	2.99.26.060120S	GB5787-86	Bolt M6x12	1		0,75	
6	2.23.0101.02600	DD250E-9-0101026	O-ringΦ17X2	1		0,25	
7	2.20.0101.10300	DD250E-0101103A	O- ringΦ10x1.6	4		0,25	
8	2.23.0117.01000	DD250E-9-0117010	Hose clip	2		1,00	
9	2.20.0102.00100	DD250E-0102001	Pin, dowel Φ8x14	2		0,25	
10	2.22.0102.00210	DD262MP-0102002	Gasket , cylinder (non asbestos)	1		2,00	
11	2.22.0102.00300	DD262MP-0102003	Gasket, cylinder head	1		10,00	
12	2.23.0102.00600	DD250E-9-0102006	Pin, dowel 10x10	4		0,25	
13	2.20.0101.01600	DD250E-0101016A	Pin, dowel Φ10x16	2		0,40	

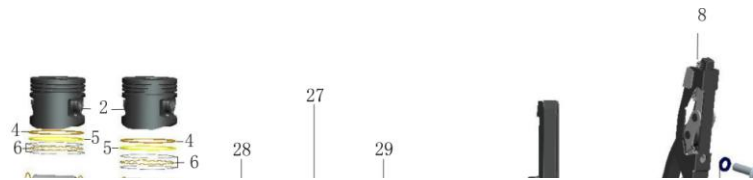
E-3 : ASSIEME CARTER

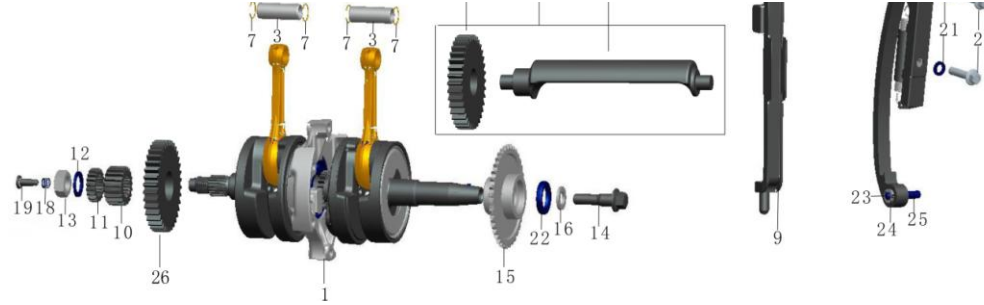


E-3 : ASSIEME CARTER

NO.	PART CODE	Old drawing ref.code	Description	Quantity	Design chang	EURO	Remark
1	2.22.0103.19003	DD262MP-0103190B	Left crankcase	1		75,00	
2	2.99.26.060120R	GB5787-86	Bolt M6x12	1		0,25	
3	2.20.0103.17000	DD250E-0103170	Transmishion indercator	1		7,00	
4	2.20.0103.02200	DD250E-0103022A	Pin, shift	1		0,30	
5	2.20.0102.00100	DD250E-0102001	Pin, dowel 8x14	4		0,25	
6	2.20.0103.10700	DD250E-0103107A	jacket, outlet	1		1,25	
7	2.20.0103.1090R	DD250E-0103109	Rubber pipe cover	1		0,75	
8	2.20.0103.11100	DD250E-0103111A	O-ring 6x3	2		1,00	
9	2.99.05.060160R	GB819-85	Screw M6x16	3		0,25	
10	2.20.0103.12000	DD250E-0103120	Plate, oil through	1		5,50	
11	2.99.70.0630500	GB/T276-94	Bearing 6305/P6	2		9,00	
12	2.20.0103.13000	DD250E-0103130	Oil seal35x52x7	1		4,90	
13	2.99.70.0620200	GB/T276-94	Bearing 6202-Z/P6	1		2,50	
14	2.20.0103.14000	DD250E-0103140A	Bearing 22x47x14-RS/P6	1		4,50	
15	2.20.0103.15000	DD250E-0103150	Oil seal22x34x7	1		3,50	
16	2.20.0103.16000	DD250E-0103160	Oil seal11.6x24x10	1		1,10	
17	2.22.0103.21003	DD262MP-0103210B	Right crankcase	1		100,00	
18	2.99.70.0630400	GB/T276-94	Roller bearing 6304/P6	1		4,75	
19	2.20.0103.22000	DD250E-0103220A	Needle-bearing NK152312	1		3,50	
20	2.22.0103.00100	DD262MP-0103001	Gasket,right crankcase cover	1		1,50	
21	2.20.0112.0010S	DD250E-0112001A	Bolt M6x40	8		0,50	
22	2.20.0103.0210R	DD250E-0103021A	Bolt M8x1x30	1		0,50	
23	2.20.0103.00500	DD250E-0103005A	Pin,dowel 12x20	2		0,50	
24	2.20.0103.00610	DD250E-0103006B	Gasket,side spacer	1		1,25	
25	2.22.0103.00720	DD262MP-0103007A	Gasket,crankcase	1		3,50	
26	2.20.0108.0060S	DD250E-0108006A	Bolt M6x65	2		0,50	
27	2.20.0103.0110R	DD250E-0103011A	Screw M12x1.5	1		0,75	
28	2.20.0103.01200	DD250E-0103012A	Washer 12	1		0,50	
29	2.20.0103.01500	DD250E-0103015A	Bolt, cylinder head stud	8		1,30	
30	2.20.0103.0160R	DD250E-0103016A	Bolt M8x1x35	4		0,30	
31	2.22.0103.02300	DD262MP-0103023	Bolt M7x1x19	1		0,50	
32	2.99.05.060320R	GB819-85	Screw M6x32-ZnD	3		0,25	
33	2.20.0103.10100	DD250E-0103101		1		0,25	
34	2.20.0103.10200	DD250E-0103102		1		0,25	
35	2.52.0103.09200	DD150E-2-0103092	screen ,oil filter	1		2,50	
36	2.19.0112.00400	DD300A-0112004	spring,oil filter	1		1,50	
37	2.90.0101.01800	DD50E (1B) -010101	O ring,30,8*3,2	1		0,35	
38	2.90.0100.08300	JH70.20108	valve cover	1		2,00	
39	2.99.70.0630110	GB/T276-94	bearing 6301/P5	2		5,00	
40	2.22.0106.02600	DD262MP-0103026	seal ring,oil pump	1		2,00	
41	2.22.0103.02400	DD262MP-0103024	pressing plate, oil pump	1		0,75	
42	2.99.04.050080R	GB/T 818-2000	screw M5*8	2		0,75	
43	2.22.0103.02500	DD262MP-0103025	O ring 8*3	1		0,75	

E-4 : ASSIEME ALBERO MOTORE

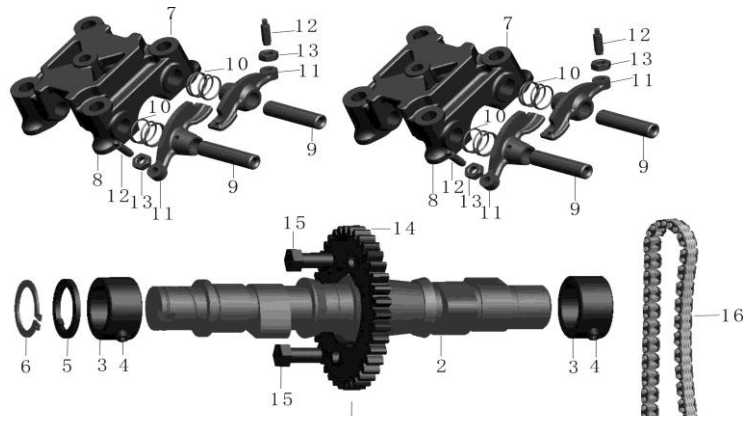




E-4 : ASSIEME ALBERO MOTORE

NO.	PART CODE	Old drawing ref.code	Description	Quantity	Design chang	EURO	Remark
1	2.22.0104.10020	DD262MP-0104100A	Crankshaft comp	1		170,00	
2	2.22.0104.20100	DD262MP-0104201	piston	2		19,00	
3	2.22.0104.20200	DD262MP-0104202	Pin, piston	2		1,25	
4	2.22.0104.20300	DD262MP-0104203	1st piston ring	2		15,00	
5	2.22.0104.20400	DD262MP-0104204	2nd piston ring	2		2,20	
6	2.22.0104.21000	DD262MP-0104210	Oil seal set	2		1,50	
	2.22.0104.21100	DD262MP-0104211	expander ring	2		5,00	
	2.22.0104.21200	DD262MP-0104212	Scaper	4		5,00	
7	2.20.0104.20500	DD250E-0104205A	Clip, piston pin	4		0,25	
8	2.20.0104.30020	DD250E-0104300A	Chain stretching comp	1		18,25	
9	2.20.0104.00110	DD250E-0104001A	Guide, cam chain	1		7,00	
10	2.20.0104.00200	DD250E-0104002A	Gear, primary drive	1		11,50	
11	2.23.0104.00300	DD250E-9-0104011	Gear, oil pump drive	1		7,50	
12	2.20.0104.00400	DD250E-0104004A	Washer, lock	1		0,25	
13	2.20.0104.0050R	DD250E-0104005A	Nut, hex M16x1	1		0,50	
14	2.20.0104.0060R	DD250E-0104006C	Bolt, rotor setting	1		1,00	
15	2.20.0104.00700	DD250E-0104007B	Sprocket comp, starting	1		17,50	
16	2.20.0104.00800	DD250E-0104008	Washer 12	1		0,25	
17	2.20.0104.00900	DD250E-0104009A	Pin $\Phi 2 \times 14$	1		0,25	
18	2.20.0104.01100	DD250E-0104011A	Spring, oil through	1		0,40	
19	2.20.0104.01200	DD250E-0104012A	Through oil	1		1,00	
20	2.20.0104.0130R	DD250E-0104013A	BoltM6x26	2		0,50	
21	2.20.0104.01400	DD250E-0104014A	Washer 6	2		0,25	
22	2.20.0104.02000	DD250E-0104020	Oil seal22x31x5	1		3,00	
23	2.20.0104.01500	DD250E-0104015A	Washer	1		0,25	
24	2.20.0104.01600	DD250E-0104016B	Flexible spring	1		0,25	
25		GB119-86	pin B6*14	1		0,50	
27	2.22.0104.40000	DD262MP-0104400	balance shaft assy	1		25,00	

E-5 : ASSIEME ALBERO A CAMES

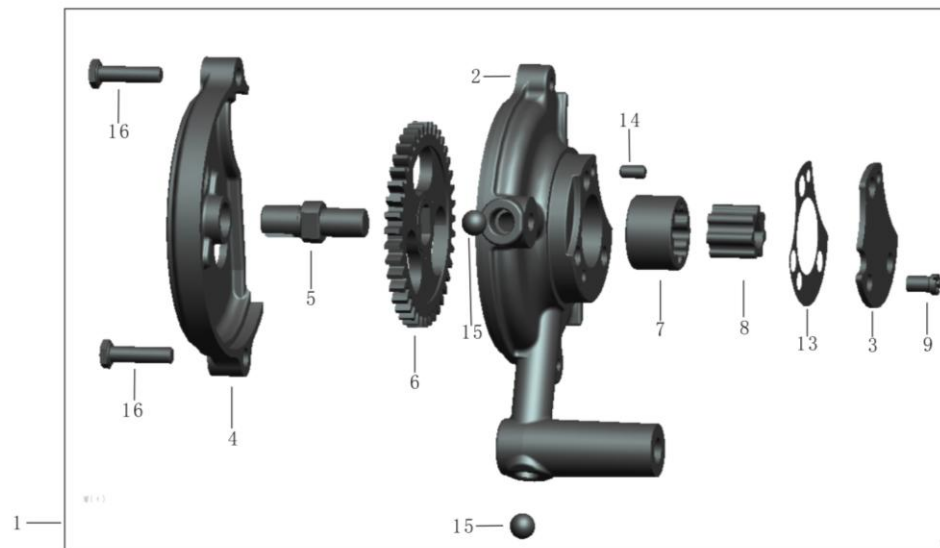




E-5 : ASSIEME ALBERO A CAMES

NO.	PART CODE	Old drawing ref.code	Description	Quantity	Design chang	EURO	Remark
1	2.20.0105.10000	DD250E-0105100	Camshaft	1		25,50	
2	2.20.0105.10000	DD250E-0105101A	Camshaft	1		29,00	
3	2.20.0105.10210	DD250E-0105102A	Bush, camshaft	2		2,50	
4	2.20.0105.10300	DD250E-0105103A	Pin, dowel bush camshaft	2		0,25	
5	2.99.63.0200000	GB/T894.2-86	Circlip, externa 20	1		0,10	
6	2.20.0105.10500	DD250E-0105105A	Washer, thrust	1		0,50	
7	2.22.0105.20000	DD262MP-0105200	Holder comp, camshaft M8	2		25,00	
14	2.20.0105.00110	DD250E-0105001A	Sprocket, cam	1		9,00	
15	2.20.0105.0020C	DD250E-0105002A	Bolt M7x13	2		0,50	
16	2.20.0105.30000	DD250E-01053000A	Chain, cam	1		56,25	

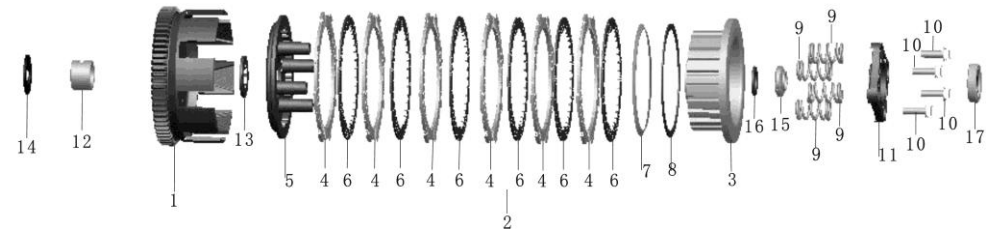
E-6 : ASSIEME POMPA OLIO



E-6 : ASSIEME POMPA OLIO

NO.	PART CODE	Old drawing ref.code	Description	Quantity	Design chang	EURO	Remark
1	2.23.0106.00000	0106000 (DD150E-8)	Pump assy.oil	1		82,00	

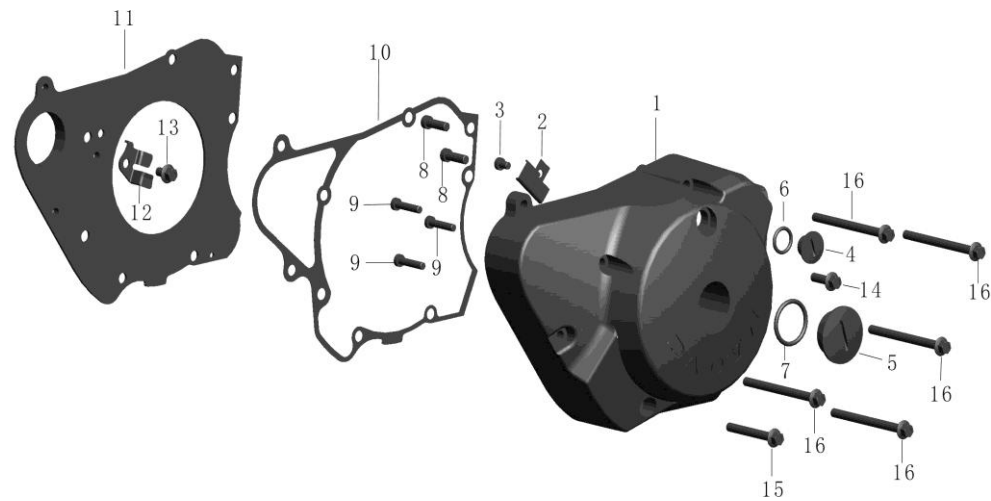
E-7 : ASSIEME FRIZIONE



E-7 : ASSIEME FRIZIONE

NO.	PART CODE	Old drawing ref.code	Description	Quantity	Design chang	EURO	Remark
1	2.20.0107.11000	DD250E-0107110A	Outer comp, clutch	1		37,50	
2	2.20.0107.12000	DD250E-0107120A	Center frame comp	1		3,00	
4	2.20.0107.12210	DD250E-0107122A	Disk, clutch friction	6		2,00	
6	2.20.0107.12400	DD250E-0107124A	Plate, clutch	7		1,35	
14	2.20.0107.00100	DD250E-0107001A	Washer	1		0,25	
15	2.20.0107.00200	DD250E-0107002A	Circular nut	1		1,00	
16	2.20.0107.00300	DD250E-0107003A	Washer, thrust	1		0,25	
17	2.20.0107.20000	DD250E-0107200A	Pushing bearing	1		5,75	

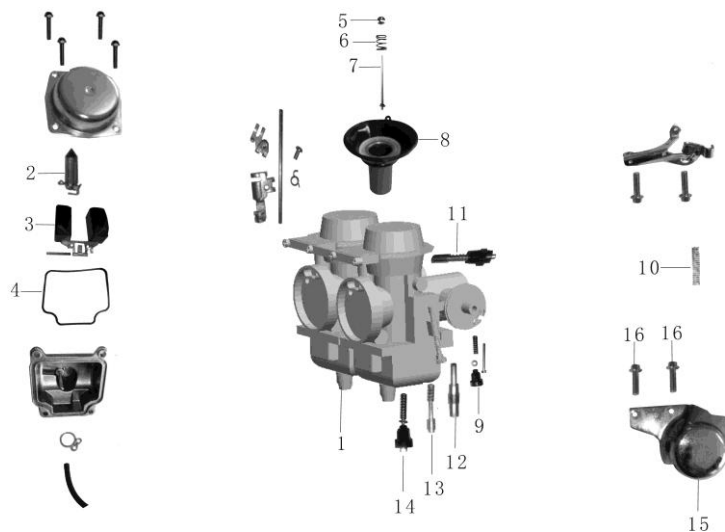
E-8 : ASSIEME CARTER SX



E-8 : ASSIEME CARTER SX

NO.	PART CODE	Old drawing ref.code	Description	Quantity	Design chang	EURO	Remark
1	2.20.0108.10108	DD250E-0108101A	Cover, left crankcase	1		41,00	
2	2.20.0108.1020R	DD250E-0108102A	Tension Disc	1		0,60	
3	2.99.03.050080R	GB70-85	Screw, hex M5×30-ZnD	1		0,25	
4	2.20.0108.1030S	DD250E-0108103A	Screw M14×1,5	1		1,18	
5	2.20.0108.1040S	DD250E-0108104A	Screw M30×1,5	1		1,88	
6	2.20.0108.10500	DD250E-0108105	O-ring 13.8×25	1		0,50	
7	2.20.0108.10600	DD250E-0108106	O-ring 25.8×3,1	1		0,50	
8	2.99.03.060200R	GB70-85	Screw, hex M6×20-ZnD	2		0,25	
9	2.99.03.050250R	GB70-85	Screw, hex M5×30-ZnD	3		0,25	
10	2.20.0108.00110	DD250E-0108001A	Gasket, left crankcase cover	1		3,00	
11	2.20.0108.0020R	DD250E-0108002A	Spacer comp, left side	1		5,00	
12	2.20.0108.00300	DD250E-0108003A	Plate, starting sprocket setting	1		0,25	
13	2.99.26.060100R	GB5787-86 M6×10	Bolt M6×10-ZnD	1		0,40	
14	2.20.0108.0040S	DD250E-0108004A	Bolt M6×20	1		0,50	
15	2.20.0112.0020S	DD250E-0112002A	Bolt M6×50	1		0,50	
16	2.20.0108.0060S	DD250E-0108006	Bolt M6×65	5		0,50	

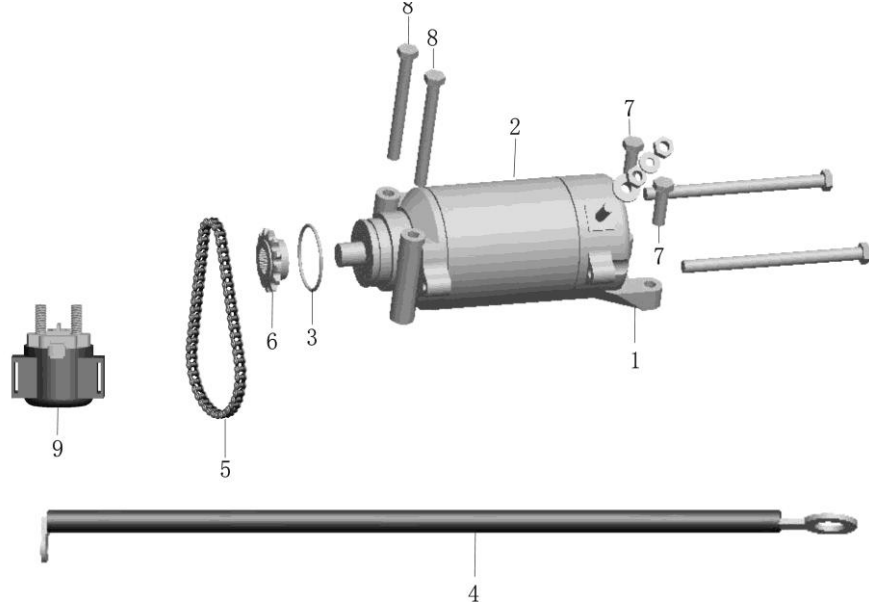
E-9 : ASSIEME CARBURATORE



E-9 : ASSIEME CARBURATORE

NO.	PART CODE	Old drawing ref.code	Description	Quantity	Design chang	EURO	Remark
1	2.20.0109.10010	DD250E-0109100	Carburetor, assy	1		175,00	
15	2.20.0109.0010S	DD250E-0109001	Decorative cover, carburetor	1		19,00	

E-10 : MOTORINO AVVIAMENTO



E-10 : MOTORINO AVVIAMENTO

NO.	PART CODE	Old drawing ref.code	Description	Quantity	Design chang	EURO	Remark
1	2.20.0110.10000	DD250E-0110100	Starting motor	1		100,00	
4	2.20.0110.11000	DD250E-0110110	connecting cable, starting motor	1		3,00	
5	2.20.0110.30000	DD250E-0110300A	Chain, starting	1		6,40	
6	2.20.0110.10200	DD250E-0110102A	Sprocket, starting motor	1		4,50	
7	2.20.0110.0010S	DD250E-0110001	Bolt M6x22	2		0,50	
8	2.20.0108.0060S	DD250E-0108006A	Bolt M6x65	2		0,50	
9	2.20.011020000	DD250E-0110200	starting relay	1		7,00	

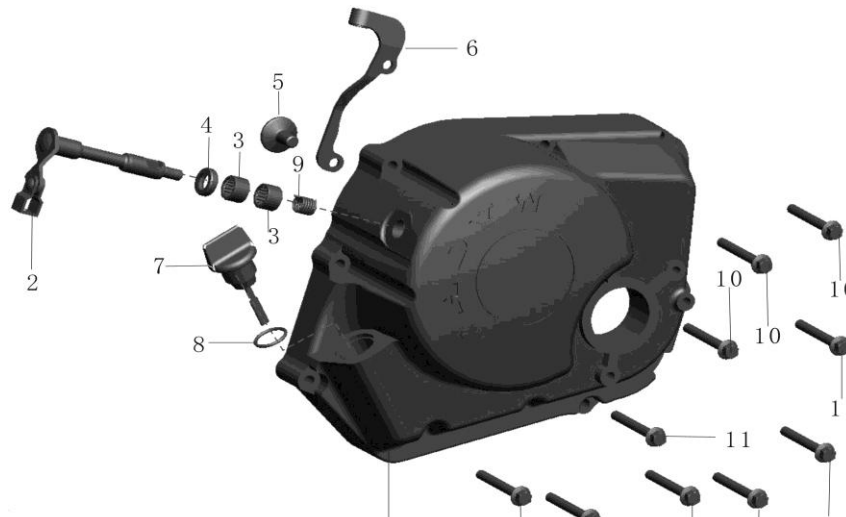
E-11 : IMPIANTO ELETTRICO



E-11 : IMPIANTO ELETTRICO

NO.	PART CODE	Old drawing ref.code	Description	Quantity	Design chang	EURO	Remark
1	2.23.0111.11000	DD250E-0111110B	Flywheel comp	1		30,00	
2	2.23.0111.12000	DD250E-0111120B	Stator comp	1		31,00	
3	2.22.0111.13000	DD250E-0111130C	Starting clutch	1		11,75	
10	2.20.0111.13700	DD250E-0111137	Screw M8*16-ZnD	3		2,50	
11	2.23.0111.15000	DD300E-0111150B	Sensor set	1		4,50	
12	2.20.0111.30010	DD250E-0111300ZH	ignition coil	1		9,90	
13	2.23.0111.40000	DD300E-6-0111400	rectifier regulator	1		29,50	
14	2.23.0111.50000	DD250E-9-0111500	igniter	1		26,50	

E-12 : ASSIEME CARTER DX

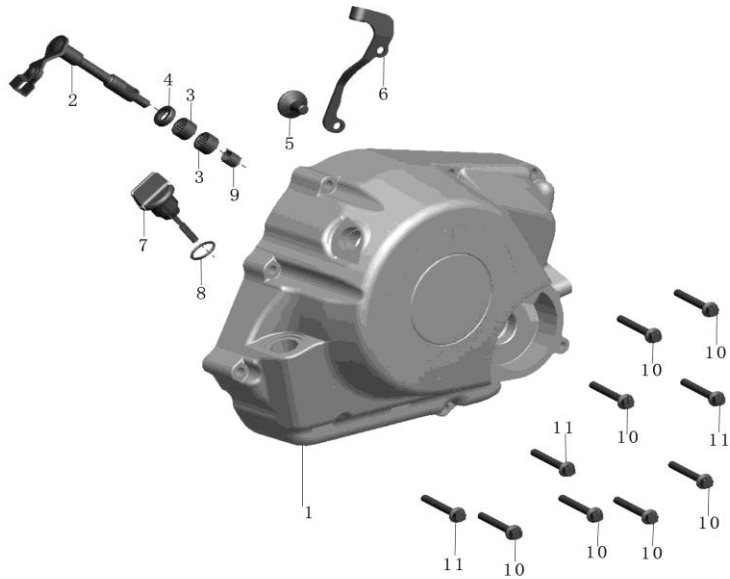


1 11 10 10 10

E-12 : ASSIEME CARTER DX

NO.	PART CODE	Old drawing ref.code	Description	Quantity	Design chang	EURO	Remark
1	2.23.0112.1010S	DD250E-9-0112101	Cover comp.right crankcase	1		66,00	
2	2.20.0112.1100S	DD250E-0112110A	lever comp. clutch	1		5,00	
3	2.20.0112.12000	DD250E-0112120	Bearing HK1210	2		1,45	
4	2.20.0112.13000	DD250E-0112130	Oil seal 12x18x5	1		0,80	
5	2.20.0112.10200	DD250E-0112102A	Pin. clutch lifter	1		0,85	
6	2.20.0112.1030S	DD250E-0112103A	Receiver. clutch cable	1		1,45	
7	2.20.0112.14000	DD250E-0112141A	Gauge. oil level	1		0,90	
8	2.20.0112.14200	DD250E-0112142A	O- ringΦ18x3	1		0,50	
9	2.20.0112.10600	DD250E-0112106A	Spring S	1		0,50	
10	2.20.0112.0010S	DD250E-0112001A	Bolt M6x40	7		0,50	
11	2.20.0112.0020S	DD250E-0112002A	Bolt M6x50	3		0,50	

E-12 : ASSIEME CARTER DX

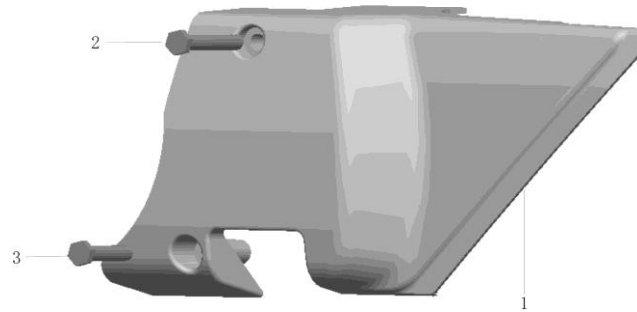


E-12 : ASSIEME CARTER DX

NO.	PART CODE	Old drawing ref.code	Description	Quantity	Design chang	EURO	Remark
1	2.23.0112.10211	DD262MP-0103210B	Cover comp.right crankcase	1		75,00	
2	2.20.0112.1100S	DD250E-0112110A	lever comp. clutch	1		5,00	
3	2.20.0112.12000	DD250E-0112120	Bearing HK1210	2		1,45	

4	2.20.0112.13000	DD250E-0112130	Oil seal 12x18x5	1		0,80	
5	2.20.0112.10200	DD250E-0112102A	Pin, clutch lifter	1		0,85	
6	2.20.0112.1030S	DD250E-0112103A	Receiver, clutch cable	1		1,45	
7	2.20.0112.14000	DD250E-0112141A	Gauge, oil level	1		0,90	
8	2.20.0112.14200	DD250E-0112142A	O- ringΦ18x3	1		0,50	
9	2.20.0112.10600	DD250E-0112106A	Spring S	1		0,50	
10	2.20.0112.0010S	DD250E-0112001A	Bolt M6x40	7		0,50	
11	2.20.0112.0020S	DD250E-0112002A	Bolt M6x50	3		0,50	

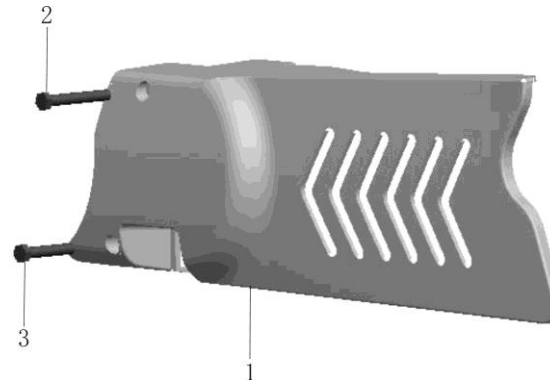
E-13 : CARTER COPRI PIGNONE



E-13 : CARTER COPRI PIGNONE

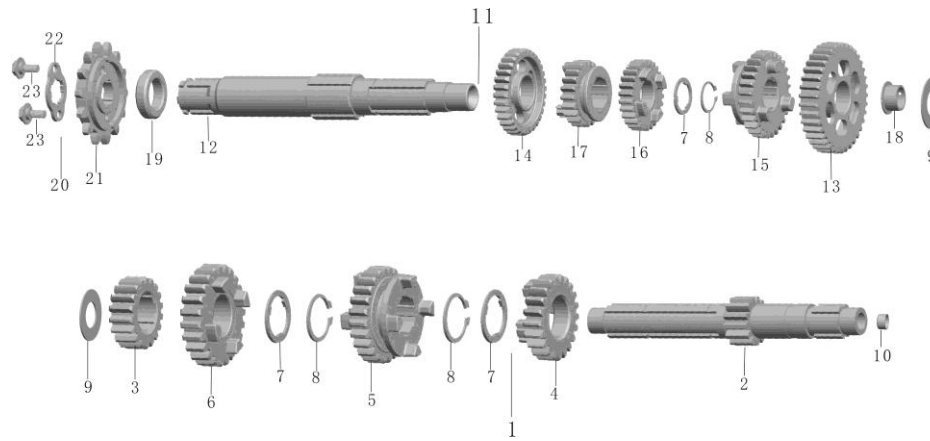
NO.	PART CODE	Old drawing ref.code	Description	Quantity	Design chang	EURO	Remark
1	2.20.0113.1000S	DD250E-0113100B	Left rear crankcase	1		25,00	
2	2.20.0113.0010S	DD250E-0113001	Bolt M6X46	1		1,50	
3	2.20.0113.0020S	DD250E-0113002	Bolt M6X60	1		1,50	

E-13 : CARTER COPRI CATENA



NO.	PART CODE	Old drawing ref.code	Description	Quantity	Design chang	EURO	Remark
1	2.26.0113.1000S	DD250E-6-0113100	Left rear crankcase	1		37,50	
2	2.20.0113.0010S	DD250E-0113001	Bolt M6X46	1		1,50	
3	2.20.0113.0020S	DD250E-0113002	Bolt M6X60	1		1,50	

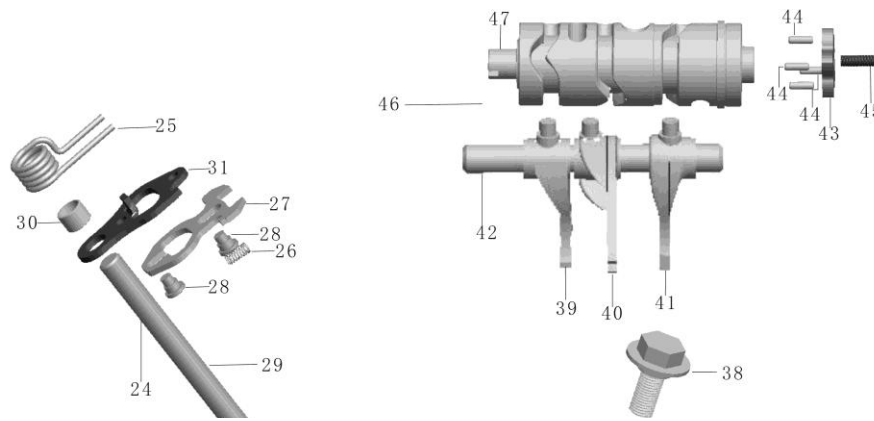
E-14 : ASSIEME CAMBIO

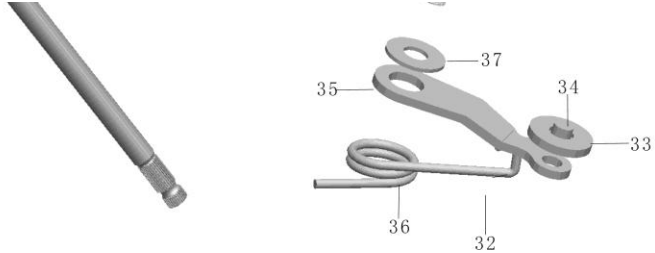


E-14 : ASSIEME CAMBIO

NO.	PART CODE	Old drawing ref.code	Description	Quantity	Design chang	EURO	Remark
1	2.20.0114.10000	DD250E-0114100A	main shaft	1		55,00	
11	2.20.0114.20020	DD250E-0114200B	Countershaft	1		55,00	
12	2.20.0114.20030	DD250E-0114201C	Countershaft comp	1		46,00	
20	2.20.0114.40110	DD250E-0114400A	counter shaft assy	1		9,50	
22	2.20.0114.40200	DD250E-0114402A	Plate, fixing	1		1,50	
23	2.99.24.060100R	GB5783-86 M6x10	Bolt M6x10/ZnD	2		0,50	

E-14 : ASSIEME CAMBIO

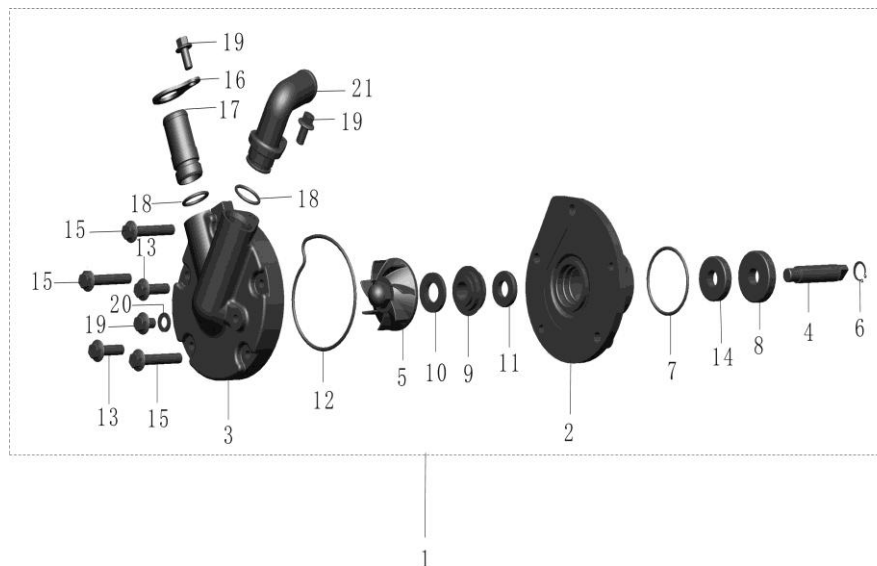




E-14 : ASSIEME CAMBIO

NO.	PART CODE	Old drawing ref.code	Description	Quantity	Design chang	EURO	Remark
24	2.25.0114.30000	DD250E-0114300C	Spindle comp. gearshift	1		9,50	
32	2.20.0114.50000	DD250E-0114500A	Stopper comp. gearshift drum	1		1,25	
36	2.20.0114.50100	DD250E-0114501	Spring, shift drum stopper	1		0,50	
37	2.20.0114.50200	DD250E-0114502A	Washer 6	1		0,25	
38	2.20.0114.5030R	DD250E-0114503	Screw M6x12	1		0,50	
39	2.20.0114.00100	DD250E-0114001	Fork, left gearshift	1		5,85	
40	2.20.0114.00200	DD250E-0114002	Fork, center gearshift	1		5,85	
41	2.20.0114.00300	DD250E-0114003	Fork, right gearshift	1		5,85	
42	2.20.0114.00400	DD250E-0114004A	Shaft, gearshift fork guide	1		1,50	
43	2.20.0114.00500	DD250E-0114005	Plate, drum stopper	1		3,85	
44	2.20.0114.00600	DD250E-0114006	Pin, gearshift drum	4		0,05	
45	2.20.0114.0070R	DD250E-0114007	Screw M6x20	1		0,50	
47	2.20.0114.60010	DD250E-0114601	Drum, gearshift	1		14,40	

E-16 : ASSIEME POMPA ACQUA

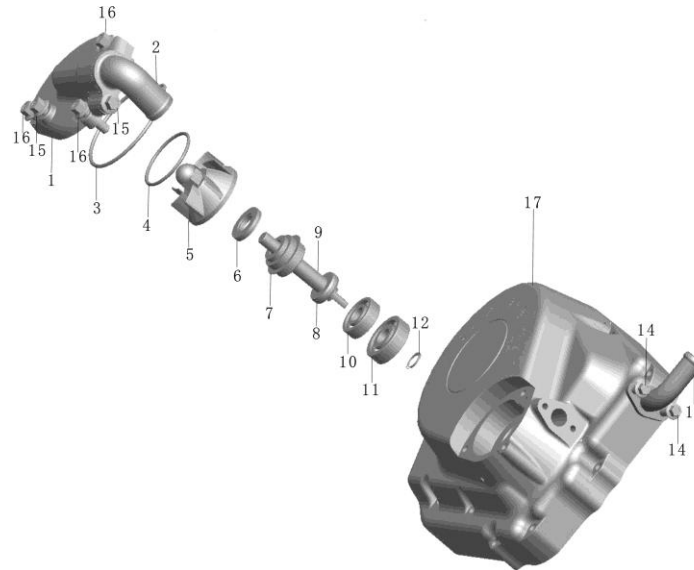


E-16 : ASSIEME POMPA ACQUA

NO.	PART CODE	Old drawing ref.code	Description	Quantity	Design chang	EURO	Remark
1	2.23.0116.00000	DD250E-9-0116000	Water pump comp	1		20,00	
2	2.23.0116.0010S	DD250E-9-0116001	Water pump hull	1		8,00	
3	2.23.0116.0020S	DD250E-9-0116002	Water pump cover	1		9,50	
4	2.23.0116.00300	DD250E-9-0116003	Water pump shaft	1		1,50	
5	2.23.0116.00402	DD250E-9-0116004	Fan	1		1,50	
6	2.99.63.0800000	GB896-86	Retaining ring 8	1		0,15	
7	2.23.0116.00500	DD250E-9-0116005	O-rings36x2	1		0,30	
8	2.99.70.0620000	GB/T276-94	Bearing 6200	1		3,00	

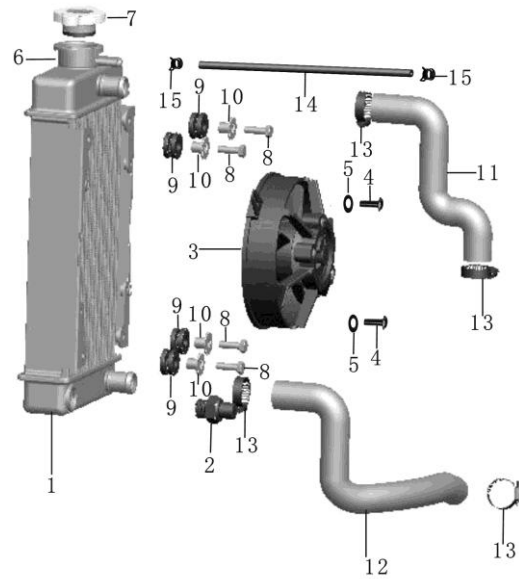
9	2.23.0116.10000	DD250E-9-0116100	Water seal A	1		9,00	
10	2.23.0116.20000	DD250E-9-0116200	Water seal B	1		1,00	
11	2.23.0116.30000	DD250E-9-0116300	Oil seal 21x10x5	1		0,75	
12	2.23.0116.00600	DD250E-9-0116006	O-ring of pump cover	1		0,75	
13	2.23.0116.0110S	DD250E-9-0116011	Bolt M6x30	2		1,25	
14	2.99.70.0600000	GB/T276-94	Bearing 6000	1		2,10	
15	2.20.0112.0010S	DD250E-0112001A	Bolt M6x40	3		0,50	
16	2.23.0101.0240S	DD250E-9-0101024	Hose connector setting plate	1		0,25	
17	2.23.0101.0250S	DD250E-9-0101025	Hose connector	1		1,50	
18	2.23.0101.02600	DD250E-9-0101026	O-ring ø17x2	2		0,25	
19	2.99.26.060120S	GB5787-86	Bolt M6x12	3		0,75	
20	2.99.55.0600000	GB/T848-2000	Washer 6	1		0,05	
21	2.23.0116.0120S	DD250E-9-0116012	inlet water pump connector	1		3,50	

E-16 : ASSIEME POMPA ACQUA



E-16 : ASSIEME POMPA ACQUA							
NO.	PART CODE	Old drawing ref.code	Description	Quantity	Design chang	EURO	Remark
1	2.23.0116.0020S	DD250E-9-0116002	Water pump cover	1		9,50	
2	2.23.0116.0120S	DD250E-9-0116012	inlet water pump connector	1		3,50	
3	2.23.0116.00600	DD250E-9-0116006	O-ring of pump cover	1		0,75	
4	2.23.0116.00500	DD250E-9-0116005	O-ringø36x2	1		0,30	
5	2.23.0116.00402	DD250E-9-0116004	Fan	1		1,50	
6	2.23.0116.20000	DD250E-9-0116200	Water seal B	1		1,00	
7	2.23.0116.10000	DD250E-9-0116100	Water seal A	1		9,00	
8	2.23.0116.30000	DD250E-9-0116300	Oil seal 21x10x5	1		0,75	
9	2.23.0116.00300	DD250E-9-0116003	Water pump shaft	1		1,50	
10	2.99.70.0600000	GB/T276-94	Bearing 6000	1		2,10	
11	2.99.70.0620000	GB/T276-94	Bearing 6200	1		3,00	
12	2.99.63.0800000	GB896-86	Retaining ring 8	1		0,15	
13	2.23.0112.1090S	DD253MM-0112109	hose connector	1		2,50	
14	2.99.06.060160S	GB5787-86	bolt M6*16	2		0,50	
15	2.99.26.060120S	GB5787-86	bolt M6*12	2		0,75	
16	2.20.0108.0040S	DD250E-0108004A	bolt M6*20	3		0,50	
17	2.23.0112.10211	DD253MM-0112101A	left crankcase cover	1		75,00	

E-17 : SISTEMA RAFFREDDAMENTO



E-17 : SISTEMA RAFFREDDAMENTO

NO.	PART CODE	Old drawing ref.code	Description	Quantity	Design chang	EURO	Remark
1	2.23.0117.11000	DD250E-9-0117110C	Radiator	1		115,00	
2	2.23.0117.12000	DD250E-9-0117120	Fan motor switch	1		20,00	
3	2.23.0117.20000	DD250E-9-0117200	Fan set	1		35,00	
4	2.99.22.050100R	GB/T818-2000	Bolt M5x12	2		0,25	
5	2.99.54.0500000	GB96-85	Washer 5	2		0,25	
7	2.23.0117.41000	DD250E-9-0117410	Radiator cap	1		4,00	
8	2.20.0108.0040S	DD250E-0108004A	Bolt M6x20	4		0,50	
9	2.24.0117.00700	DD250E-9A-0117007	Radiator cushion Washer	4		2,25	
10	2.24.0117.00600	DD250E-9A-0117006	Radiator Cushion Washer	4		2,25	
11	2.23.0117.00100	DD250E-9-0117001A	Hose of water enter radiator	1		2,00	
12	2.23.0117.00200	DD250E-9-0117002B	Hose of water out-flow from radiator	1		5,40	
13	2.23.0117.01000	DD250E-9-0117010	Tube clip	6		1,00	
14	2.23.0117.00500	DD250E-9-0117005	Hose of water enter reservoir tank	1		7,50	
15	2.23.0117.00300	DD250E-9-0117003	Hose clip	2		0,60	